

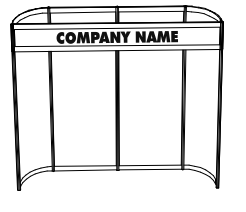
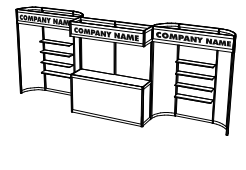
S.E.T. RENTAL EXHIBIT ORDER FORM

S.E.T. Sunrise Exhibit Technology

PO Box 4195 * Sunland, CA 91041
 Phone (818) 352-8282 FAX (818) 450-0326
 www.sundecorating.com

SHOW NAME	NORCAL SPRING TRADE SHOW
SHOW SITE	SAN MATEO EVENT CENTER
SHOW DATE	FEBRUARY 16, 2012

Exhibitor Name: _____ Booth # _____

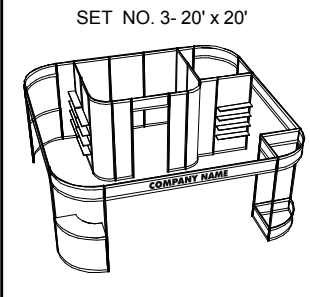
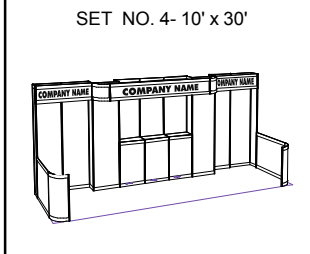
<p>SET NO. 1 - 10' x 10'</p>  <p>S.E.T. No. 1 <input type="checkbox"/></p> <p>10' X 10' :</p> <p>Please circle choice: Curved or Standard <u>Fabric color:</u> Gray - Blue - Add 30% or <u>System Panel:</u> Gray - White <u>Carpet color:</u> Red - Blue - Gray Teal - Burgundy</p> <p>Copy on Header (Logo not included)</p> <div style="border: 1px solid black; height: 20px; width: 100%;"></div> <p>Advance Price: \$ 1820.00 Regular Price: \$ 2366.00</p>	<p>S.E.T. No. 2 <input type="checkbox"/></p> <p>10' X 20' :</p> <p>Please circle choice: <u>Fabric color:</u> Gray - Blue - Add 30% or <u>System Panel:</u> Gray - White <u>Carpet color:</u> Red - Blue - Gray Teal - Burgundy</p>  <p>Copy on Headers (Logo not included)</p> <div style="border: 1px solid black; height: 20px; width: 100%;"></div> <p>Advance Price: \$ 3696.00 Regular Price: \$ 4805.00</p>
---	---

ALL PACKAGES INCLUDE:

- Installation and dismantling labor
- Standard carpet
- Standard Header copy
- Shelves (As Shown)
- Light Fixtures
- Delivery

FURNISHINGS: included in each 10' increment

Circle one of each **9' x 10' carpet:** blue red grey burgundy teal
chairs: 2 black padded or 2 plastic bucket
tables: 2' x 4' or 2' x 6' draped table
table drape: blue gold teal red burgundy **wastebasket :** yes

<p>S.E.T. No. 3 <input type="checkbox"/></p> <p>20' X 20' :</p> <p>Please circle choice: <u>Fabric color:</u> Gray - Blue - Add 30% or <u>System Panel:</u> Gray - White <u>Carpet color:</u> Red - Blue - Gray Teal - Burgundy</p>  <p>Copy on Headers (Logo not included)</p> <div style="border: 1px solid black; height: 20px; width: 100%;"></div> <p>Advance Price: \$ 7508.00 Regular Price: \$ 9760.00</p>	<p>S.E.T. No. 4 <input type="checkbox"/></p> <p>10' X 30' :</p> <p>Please circle choice: <u>Fabric color:</u> Gray - Blue - Add 30% or <u>System Panel:</u> Gray - White <u>Carpet color:</u> Red - Blue - Gray Teal - Burgundy</p>  <p>Copy on Headers (Logo not included)</p> <div style="border: 1px solid black; height: 20px; width: 100%;"></div> <p>Advance Price: \$ 4505.00 Regular Price: \$ 5856.00</p>
---	--

Accessories

SHELVING: 12" x 39" flat shelf (white) Advance Price \$43.00 Show Price \$ 56.00 \$ _____
 12" x 39" slanted shelf (white) Advance Price \$49.00 Show Price \$ 62.00 \$ _____

Please indicate quantity & location of shelves by panel left center right

SIDE PANELS: 38" high side wall panels for standard 10' unit.
 standard white system panels \$ 353.00 set \$ _____
 alternate color choice _____ \$ 541.00 set \$ _____

LITERATURE POCKETS: Clear plexiglass literature pockets (8-1/2 x 11) QTY: _____ X \$35.00

VELCRO TAPE: _____ ft hook velcro tape or loop velcro tape (circle one) \$ 1.25 ft \$ _____

PAYMENT POLICY: 100% payment must accompany this order to qualify for the above prices. Changes or cancellation in orders made at the show will be assessed a 100% pick-up charge. **ALL INVOICES MUST BE SETTLED AT OUR SERVICE DESK PRIOR TO CLOSE OF SHOW. AN ADDITIONAL 25% WILL BE CHARGED FOR ANY INVOICES THAT MUST BE BILLED.**
 Please note: Above pricing reflects a 30% savings, if ordered 14 days prior to show installation.
 Custom exhibits are also available. Please call our office for details.

S.E.T. Unit Total \$ _____
 Accessories Total \$ _____
 Sub-Total \$ _____
 Total \$ _____

Total Enclosed \$ _____
 (U.S. Funds Drawn on U.S. Banks)