

S.E.T. FURNITURE SELECTION FORM

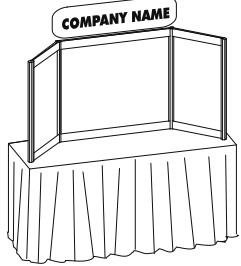
S.E.T. Sunrise Exhibit Technology

PO Box 4195 * Sunland, CA 91041
 Phone (818) 352-8282 FAX (818) 450-0326
 www.sundecorating.com

SHOW NAME	NOR CAL SPRING TRADE SHOW
SHOW SITE	SAN MATEO EVENT CENTER
SHOW DATE	FEBRUARY 16, 2012

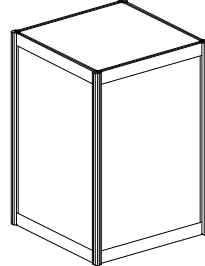
Exhibitor Name: _____ Booth # _____

Table Display



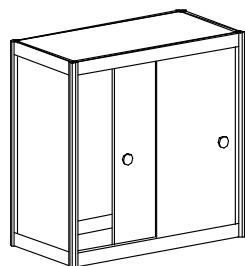
• 60" of display paneling with 6' draped table \$ **425.00**

Pedestal



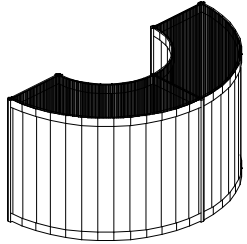
• 20"D x 20"W x 41"H \$ **153.00**

Counter/Cabinet



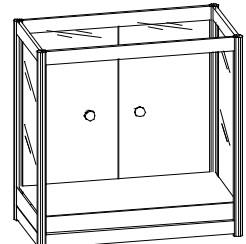
• 20"D x 40"W x 41"H \$ **276.00**

Circular Counter



• 79" Dia. x 41"high \$ **390.00**

Full Vision Showcase



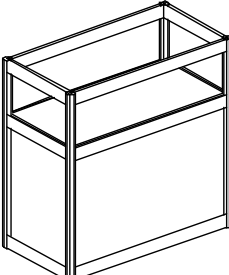
• 20"D x 40"W x 41"H \$ **305.00**

Full Vision Showcase



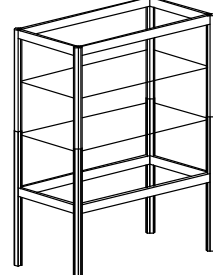
20"D x 79"W x 41"H \$ **380.00**

Showcase/Cabinet



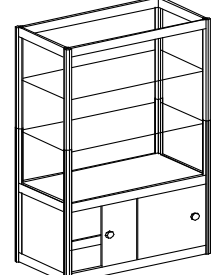
• 20"D x 40"W x 41"H \$ **277.00**

Showcase



• 20"D x 40"W x 72"H \$ **465.00**

Display/Cabinet



• 20"D x 40"W x 72"H \$ **499.00**

* All the above system furnishings are in a panel finish of white. Should you request velcro compatible fabric or color panels please add 50% to the above pricing. **Please note:** Above pricing reflects a 30% savings, if ordered (14) days prior to show installation.

PAYMENT POLICY: 100% payment must accompany this order to qualify for the above prices. Changes or cancellation in orders made at the show will be assessed a 100% pick-up charge. **ALL INVOICES MUST BE SETTLED AT OUR SERVICE DESK PRIOR TO CLOSE OF SHOW. AN ADDITIONAL 25% WILL BE CHARGED FOR ANY INVOICES THAT MUST BE BILLED.**

Custom exhibits are also available. Please call our office for details.

Total \$ _____
 Sub-Total \$ _____
 Total \$ _____

Total Enclosed \$ _____
 (U.S. Funds Drawn on U.S. Banks)